

Floor supply box S31

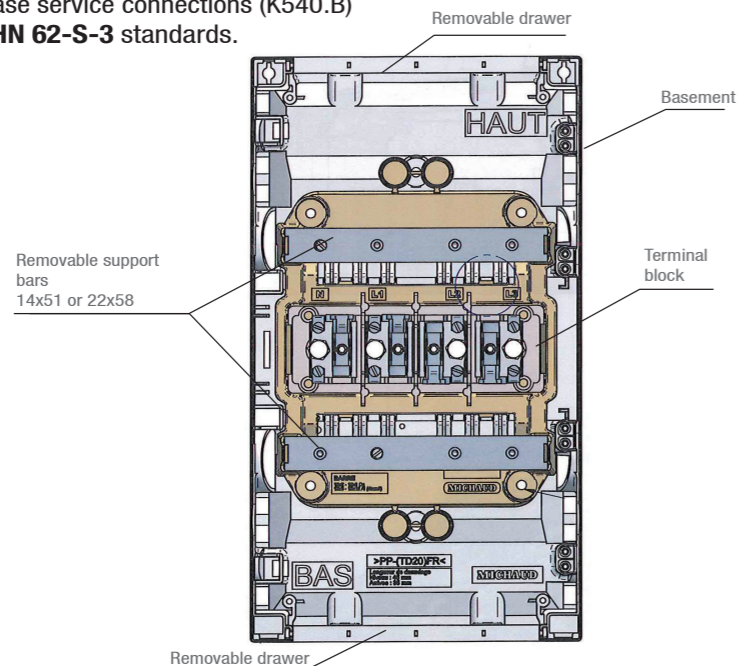


Utilisation

The 200A floor supply box allows 6 single-phase service connections or 2 three-phases service connections from a electrical column. It can be installed vertically or horizontally.

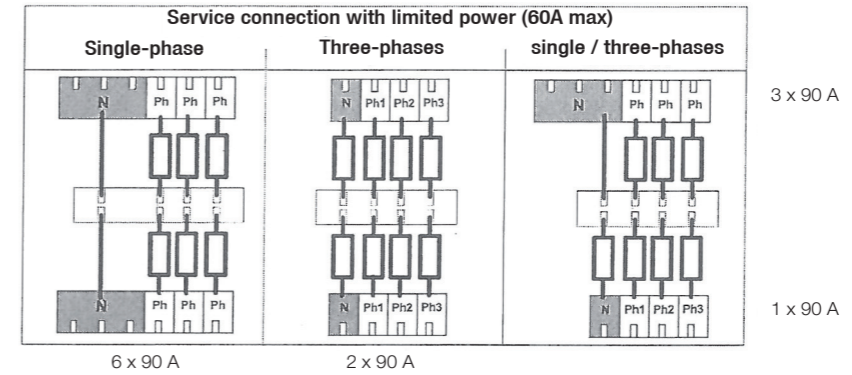
Description

- The floor supply box is made of a basement with cover in synthetical material, 2 base support bars and a terminal block.
- The protection degree is IK10.
- The principal terminal block is removable and allows a bare connection for conductors 25 to 95 mm² Cu, or a bar from 24 mm² to 96 mm².
- The tightening of the terminal blocks is done with a insulated 6mm socket wrench.
- The floor supply box can receive fuse holder (14x51 or 22x58).
- Floor supply box allows 6 single-phase service connections or 2 three-phases service connections with a power limit of 45kVA.
- An assembly version is also available :
 - For 2 single phase service connections (K540.A)
 - For 3 single phase service connections (K540.B)
- It was designed with **HN 62-S-3** standards.



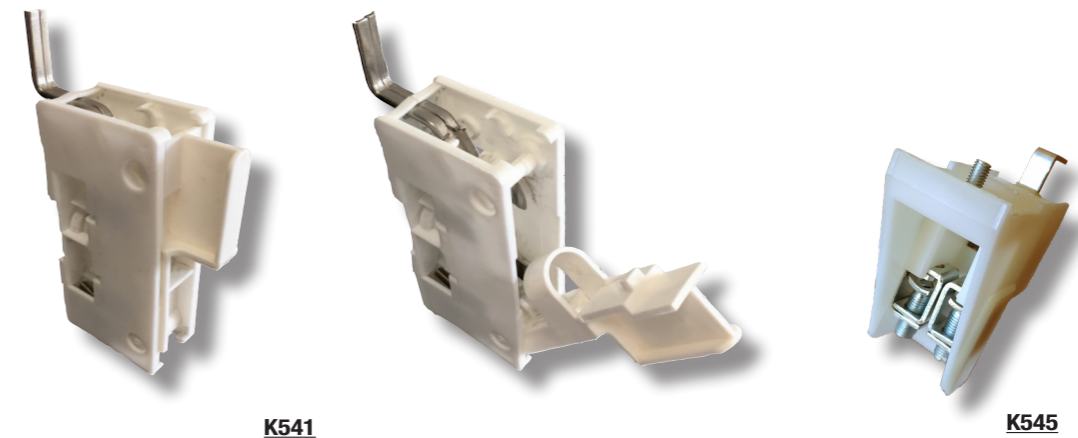
Code	Designation	Dimensions (mm)			Weight (kg)	Sales unit
		L	I	H		
K540	FLOOR SUPPLY BOX S31	430	235	165	3.050	1
K540.A	FLOOR SUPPLY BOX WITH 2 CONNECTIONS	430	235	165	3.300	1
K540.B	FLOOR SUPPLY BOX WITH 3 CONNECTIONS	430	235	165	3.400	1

Configuration



Accessories

- Fuse holders are available in two different sizes :
 - * 14x51 for fuse cartridge AD 15 and 30A,
 - * 22x58 for fuse cartridge AD 30, 45, 60 and 90A.
- They are equipped with connection leg which allows the connexion before supplying the floor supply box.
- The triple neutral allows until 3 neutral taps thanks to its 3 independent terminal blocks.



Code	Designation	Sales unit
K541	FLOOR SUPPLY BOX FUSE HOLDER 14x51	25
K542	FLOOR SUPPLY BOX FUSE HOLDER 22x58	10
K545	FLOOR SUPPLY BOX TRIPLE NEUTRAL	20